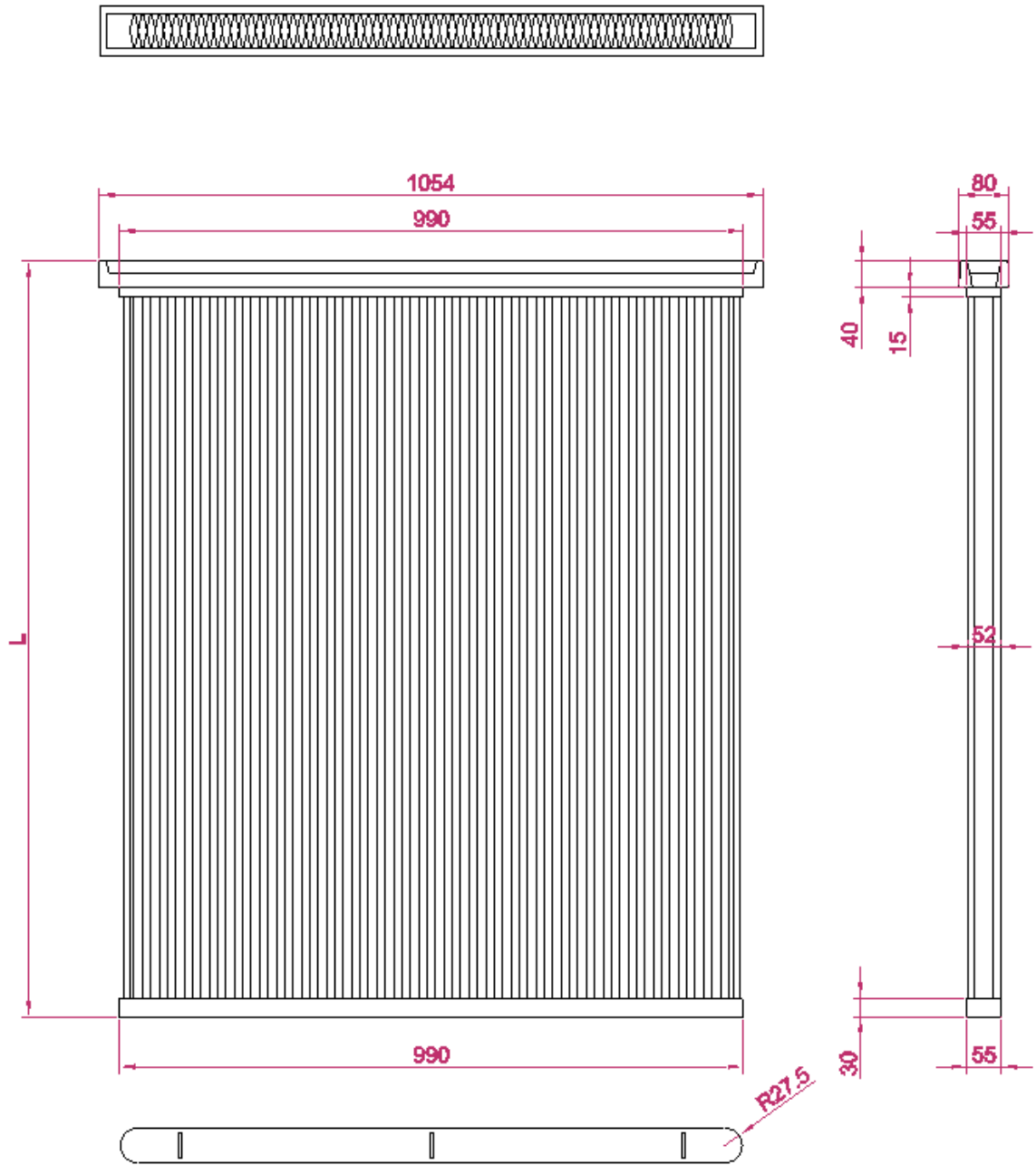


PUREPACT Dimensions



Created by	Approved by		Technical Reference			Exclusivity
Ulf Schröer	Marnon Fischer		Keller			n/a
Rightsholder	Length in mm	Surface in m ²	No. Of pleats	Height of bellows in mm	Dimensions of the slot plate	
PROJECT GREEN GmbH Varrentrappstraße 7 38114 Braunschweig	600	4,0	72	52	990 mm x 55 mm	
	950	6,7	Document status	Type of install.	Title, additional title	
	1260	9,1	approved	clean gas	PUREPACT 400 Dimensions	
	1500	10,9	Revision	Date		
			V2	17.04.2014	EN	1
This document may not be disclosed to third parties without our prior approval. It provides information subject to technical modifications!						